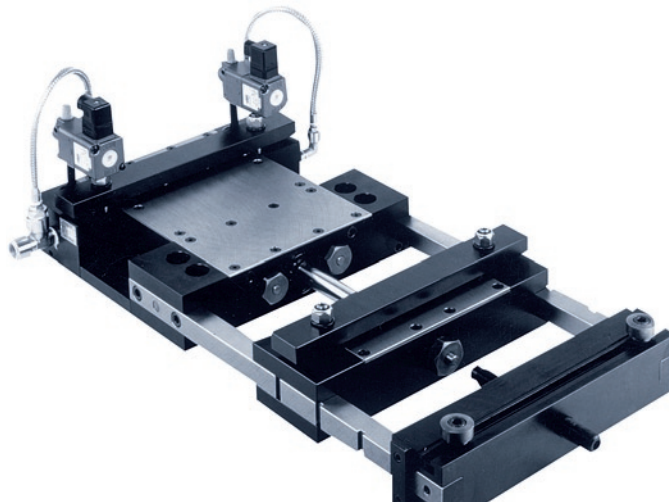

Accessories

Supporting the metalforming industry



SYSTEMS
MACHINES
TOOLS & DIES
ACCESSORIES

Contact

GSW Schwabe AG

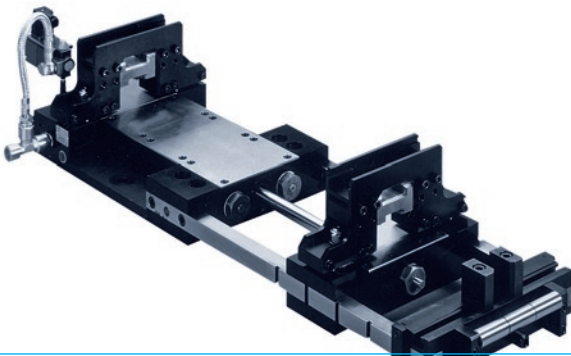
Peter-Jakob-Busch-Straße 13, 47906 Kempen, Germany

Phone: +49 2152 2033-0, Fax: +49 2152 2454

info@gsw-group.com, www.gsw-group.com

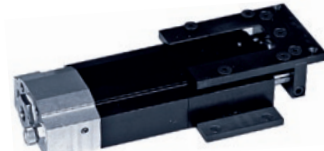
Air Feeds

Over 90 standard models for 50 to 610 mm width, 50 to 585 mm stroke length and 0.5 to 4.5 mm thickness, as well as many special units... are what make us the Industry Leader!



Linear Parts- and Scrap Transporters

Stamping-scrap removal at no compromise!
Eliminate conveyor belts, reduce downtime



Advantages

- 5 models to fit every application
- Automating scrap removal to safe cost
- Very compact design to fit inside tools

Lifting & Moving

The right aid for any challenge in lifting & moving –
from small weights to 30 tons ...



Special Equipment

- Thin stock guiding devices
- Double belt attachments
- Pull-thru Straighteners
- Special grippers (for profile also)
- Various accessories

Product Range

- C-Hooks
- Coil Turning Hooks
- Crane Forks
- Fork Lift Adaptors
- Lift Tables
- Coil Carts



Contact

GSW Schwabe AG

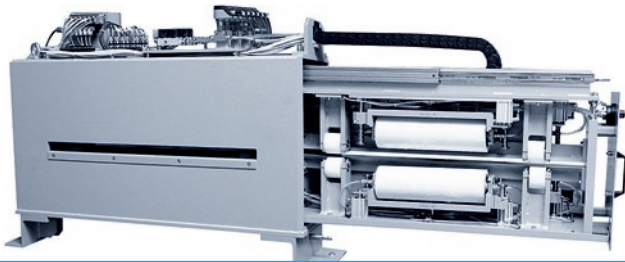
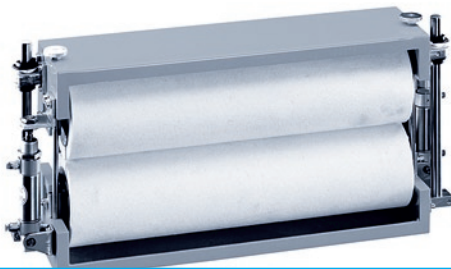
Peter-Jakob-Busch-Straße 13, 47906 Kempen, Germany

Phone: +49 2152 2033-0, Fax: +49 2152 2454

info@gsw-group.com, www.gsw-group.com

Lubricating

Lube jobs done right ...
Roller- or spray solutions for all applications!

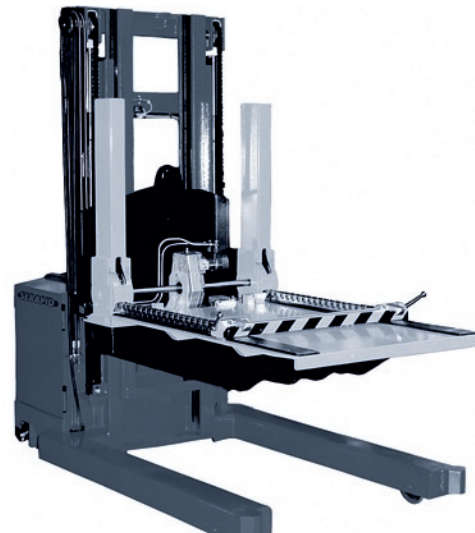
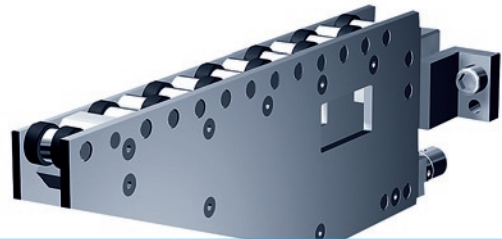


Product Range

- Roller Lubricators with optional quick roll exchange
- Sector Lubricating Systems for flexible widths
- Spray Lubricators with large variety of nozzles

Die Changing Equipment

We make exchanging of tools and dies
faster and safer!



Product Range

- Die rollers
- Consoles
- Mechanical and hydraulic die clamps
- Push-pull systems
- Manual and driver-operated die carts

Contact

GSW Schwabe AG

Peter-Jakob-Busch-Straße 13, 47906 Kempen, Germany

Phone: +49 2152 2033-0, Fax: +49 2152 2454

info@gsw-group.com, www.gsw-group.com